

## Pro Series - Feeder/Dispenser Model ST-1250



### Overview:

The ST-1250 is our most popular and versatile model. With our intelligent system controller incorporated into its stainless steel enclosure, the ST-1250 gives you the flexibility of using it in stand-alone applications as well as integrating into other systems. The ST-1250 is capable of handling a wide variety of products, from single sheets to thick magazines.

### Applications:

- Collating
- Batch counting
- Accumulating
- Automatic wrapping
- Tip-on / affixing
- Kit fulfillment
- Package inserting

### Features:

Minimal Adjustment Points

### Advantages:

Three adjustment points for product change-over. Single knob adjustments.

### Benefits:

Faster make-ready gets more jobs out the door. Skilled operators not needed for change-over.

Easy Remove Carriage

Carriage can be removed quickly and easily for belt changes.

Reduces down time for preventative maintenance.

Optional Vacuum Assist

Helps keep coated stock from slipping.

No struggling with coated or slick stocks.

Thick Product Capability

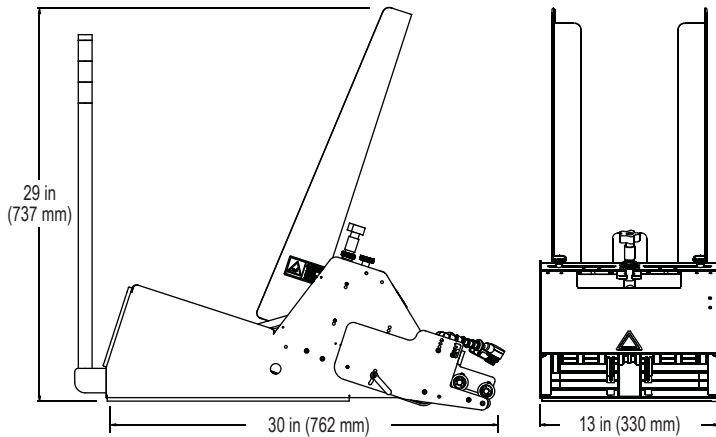
Feed product from .003" to 1.0".

More jobs can be run on the same machine.

I-Quipped Keypad/Display Control Interface

Ease of set up, operation, and monitoring of feeder.

Makes operator more productive in set up and operation of feeder.



### Specifications

<b>Maximum Product Size:</b>	12 W x 14 L in (298.45 x 355.6 mm)
<b>Minimum Product Size:</b>	3.75 W x 3.75 L in (95.25 x 95.25 mm)
Optional:	2 W x 2.5 L in (50.8 x 63.5 mm)
<b>Min/Max Product Thickness:</b>	.003-1.0 in (.076-25.4 mm)
<b>Belt Speed:</b>	5500 in/min (140,000 mm/min)
<b>Electrical Requirements:</b>	115/230vac, 50/60Hz, 6A
<b>Weight:</b>	89 lbs. (40.367kg)
<b>Warranty:</b>	One-year limited

315 27th Avenue NE · Minneapolis, MN 55418 · USA  
(763) 502-0000 · www.streamfeeder.com · E-mail: sales@streamfeeder.com

# Barry-Wehmiller

ACCRAPLY

Barry-Wehmiller  
Company

PC

pneumatic  
SCALE ANGELUS

Thiele  
Technologies

DESIGN GROUP

Barry-Wehmiller  
International Resources

Hayssen Sandiacre

Marquip Ward United

Fleetwood Goldco Wyard